

Service Kit

FAA/DER APPROVED

Service Kit: SK-S-8022EC-4

Title: Bell Helicopters 206 Air Conditioner Evaporator Blower Motor Noise Filter Installation.

Date: August 22, 2007

Applicability: All Bell Helicopter Model 206 Helicopters equipped with the Air Comm Corporation Air Conditioner Electrical Systems 206EC-848, 206EC-854 and 206EC-856.

Reference: STC, SH00222DE Cabin Air Conditioning System.
206EC-848, 206EC-854 206EC-856 Electrical Installation Drawing

Compliance: Optional, at the discretion of the operator.

Purpose: The purpose of this document is to install a filter to the evaporator blower motor wiring, to eliminate noise produced by the blower motor during the operation of the air conditioner system. This condition can occur due to the varying locations and installation of the radio antennas, and their proximity to the evaporator blower assembly.

Discussion: In some situations the evaporator fan motor may be emitting electrical noise that can be heard thru the aircrafts communication system. The installation of the S-8022EC-4/-5 Filter Assemblies will eliminate the noise without altering the motor's performance.

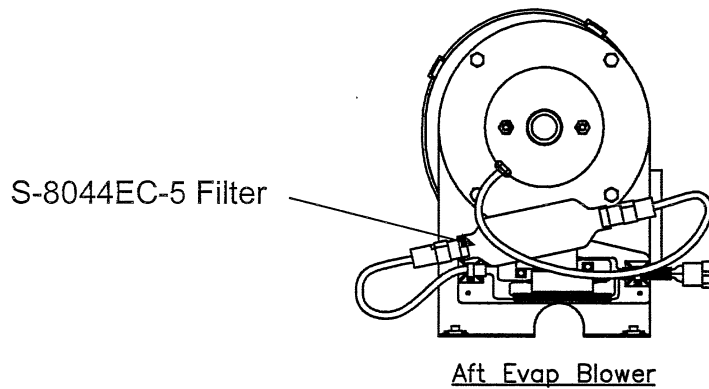
Bill of Materials (Items to be installed)

Item	Qty.	Description	Part Number to be Installed
1	2	Motor Filter	S-8022EC-4
2	1	Motor Filter	S-8022EC-5
3	4	tywrap	CT-7B

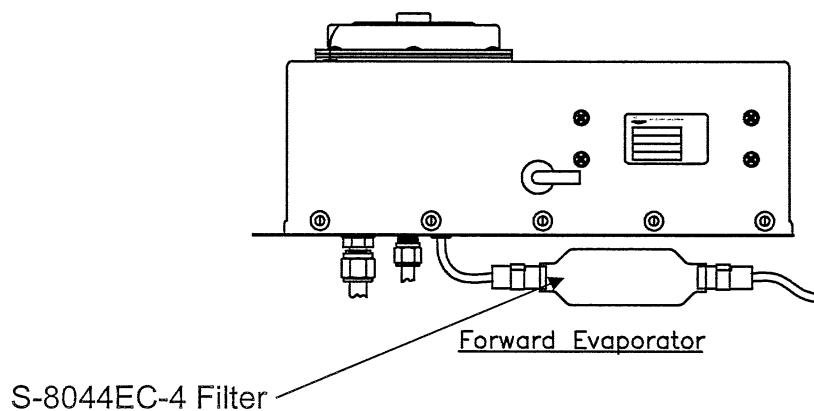
CAUTION

Disconnect battery and external power prior to starting work.

Aft Evap Instructions: Disconnect electrical harness from blower motor at electrical connector at the Aft Evaporator and install S-8022EC-5 Filter in series. Secure Filter in place using tywraps as required.



Fwd Evap Instructions: Disconnect electrical harness at electrical connector at the Forward Evaporator and install S-8022EC-4 Filter in series. Secure Filter in place using tywraps as required.



Weight and Balance: There is no change to the weight and balance, as the addition of the S-8022EC-4/-5 Motor Filter is negligible