

### Service Bulletin

**Title:** SB EC130-6204; Airbus EC130 Air Conditioner Aft Evaporator Wiring Harness Blower Motor Connector Upgrade.

**Date:** January 10, 2017

**Applicability:** Airbus Helicopter model EC130 Equipped with the Air Comm Corporation EC130-202-1 thru -8 air conditioner system

**Reference:** 1. FAA / STC # SR00543DE, Airbus Helicopter EC130 Air Conditioning System.

**Compliance:** Inspection within 20 flight hours unless already replaced with new ES59112 connector

**A. Discussion:**

Field reports have indicated that in some rare occurrences the aft evaporator blower motor connections may have overheated due to an improper contact crimp or loose fitting terminations. This Bulletin requires a visual inspection and basic pull test of the connectors used on the aft evaporator blowers to determine if there is evidence of overheating or a loose wire-to-terminal interface. If any signs of overheating or loose connections are found, the A/C system must be made inoperable until the connector is replaced with new replacement connectors.

**B. Warranty:**

If any of the connectors inspected shows indications of an overheat issue, instructions and new replacement connectors (ES59112) can be obtained free of charge from the Air Comm Corporation Service Department. Please contact us at: Phone 303-440-4075, Fax 303-440-6355, or E-mail [service@aircommcorp.com](mailto:service@aircommcorp.com)

**C. Approval:**

The technical aspects of this Service Bulletin are based on FAA approved data.

**D. Weight & Balance:**

The weight change due to the installation of these parts would be negligible and no adjustment to the weight and balance of the aircraft is necessary.

Revision	Issue Date	Inserted By	Approved by	Description of Changes
NC	11/10/14	JMB	MJK	Initial Release
A	7/6/2016	EIM	JMB	Revision to instruct use of new connectors, added page 4
B	1/10/2017	CRP	LCB	Added additional instructions for ES59112 connectors. Added page 5

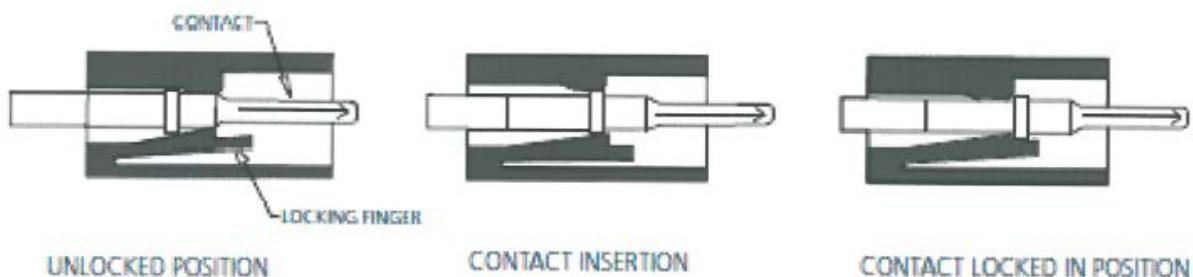
### E. Procedure

Locate each connector as shown in Figure 1. De-mate each connector and inspect both mates for signs of overheating, discoloration or plastic deformation. Gently pull (estimated 5-7 lb of force) on each wire to verify the integrity of the contact's crimp. The contacts should be fully seated and locked in the housing so pulling gently on the wires will not dislodge the contacts from the housings.

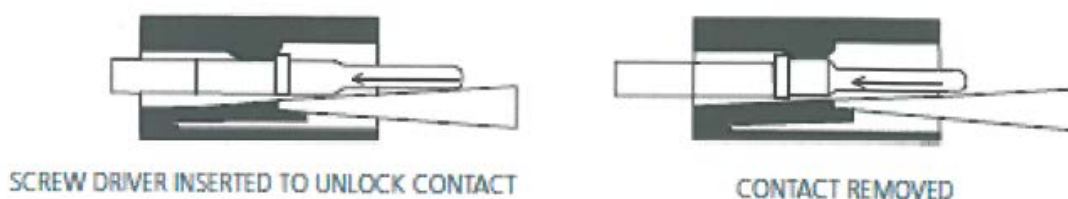
If any signs of overheating of the housing are present or if the pull test fails, the system must be rendered inoperative and the connector housings and contacts replaced with new replacement connectors using Deutsch HDT-48-00 Crimping tool or equivalent MIL-DTL22520 Type 1 crimping tool before further operation. See Section B for information on how to contact Air Comm.

Installation instructions for new replacement connectors are per the view below and as shown on pages 4 and 5.

#### Contact Insertion System (DTM/DT/DTP)



#### Contact Removal Procedure (DTM/DT/DTP)



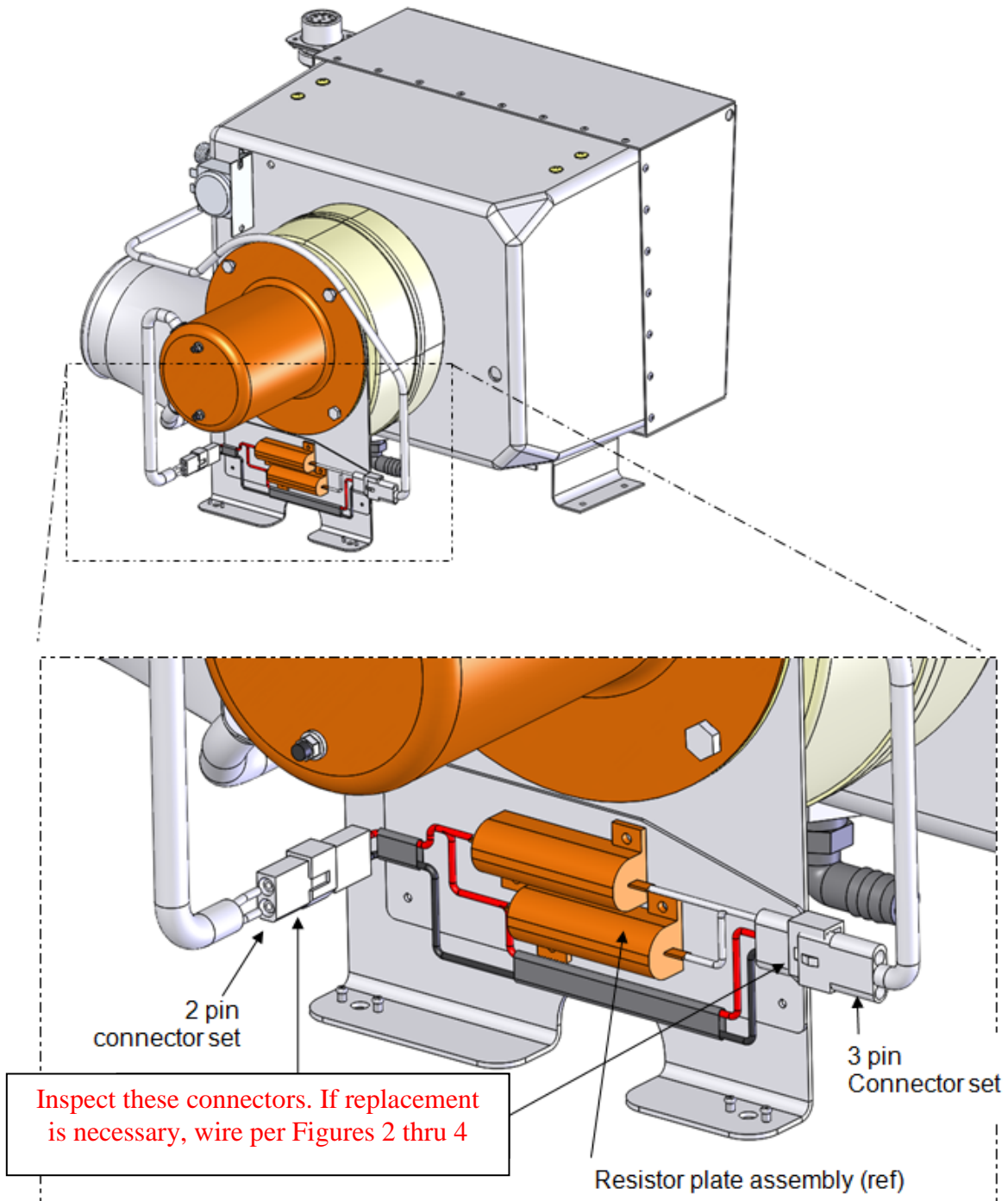
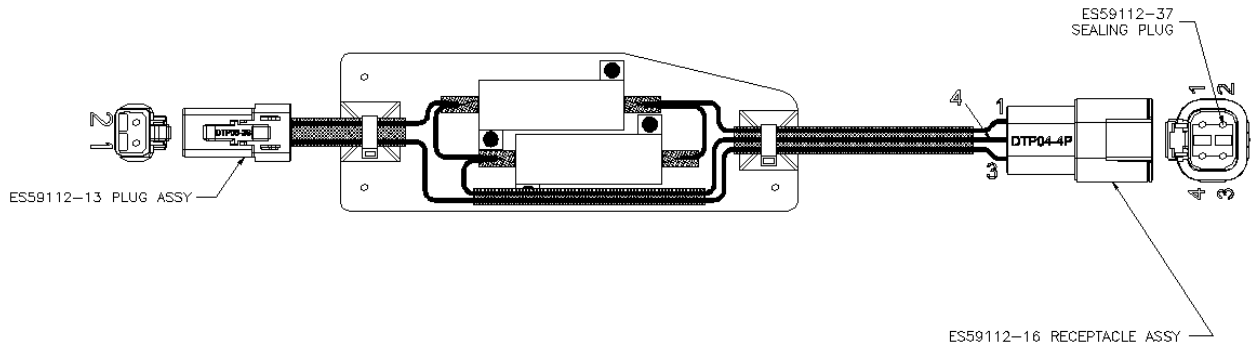
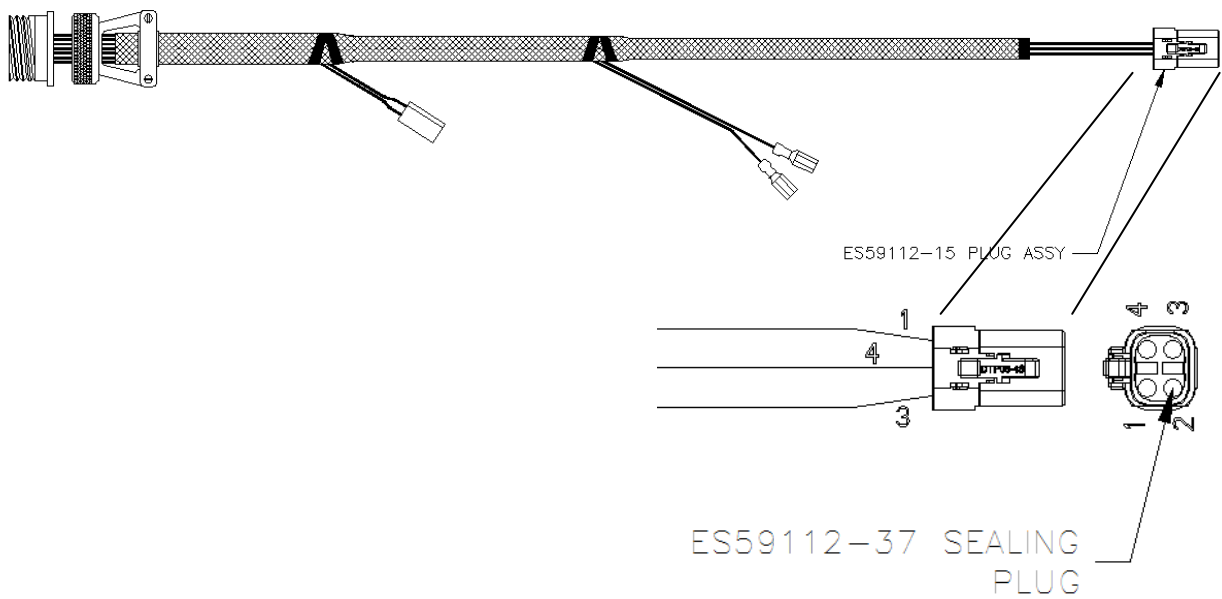


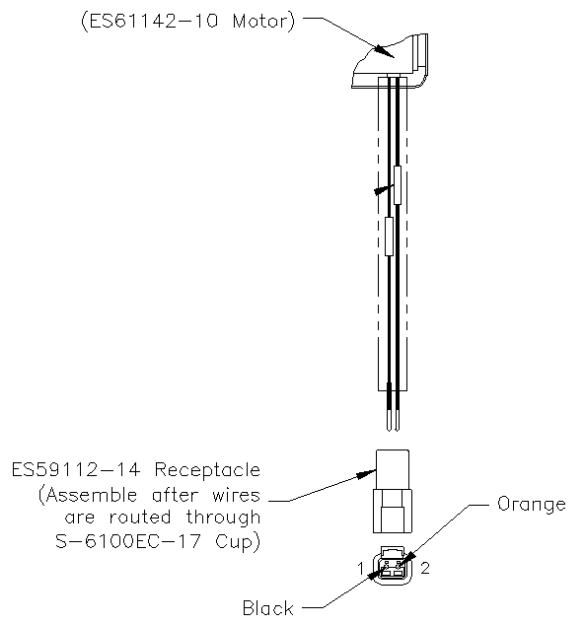
Figure 1 Aft Evaporator Assembly EC130-6204-1,-2



**Figure 2** Resistor Plate Assy w/ Deutsch connectors

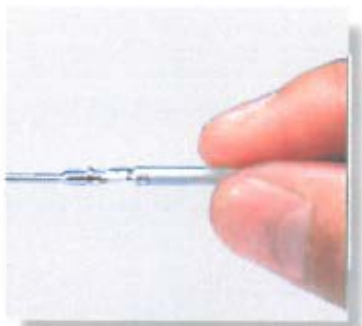


**Figure 3** Evap harness Assy w/ Deutsch connectors



**Figure 4** Blower Motor Connector  
 w/ Deutsch connector

### Assembly Contact Insertion (DTM, DT, DTP)



1. Grasp crimped contact approximately 1.0" (25.4mm) behind the contact barrel.



2. Hold connector with rear grommet facing you.



3. Push contact straight into connector grommet until a click is felt. A slight tug will confirm that it is properly locked in place.



4. Once all contacts are in place, Insert orange wedge: receptades - with half holes aligning with contacts. Plugs - with contacts aligning behind full holes. The orange wedge will snap into place.

NOTE: The receptacle is shown - use the same procedure for plug.



### Contact Removal



1. Remove orange wedge using needle-nose pliers to pull wedge straight out.



2. To remove the contacts, gently pull wire backwards, while at the same time releasing the locking finger by moving it away from the contact with a screwdriver.



3. Hold the rear seal in place, as removing the contact will displace the seal.