

Service Bulletin

FAA – DER APPROVED

Service Bulletin: SB412-306; Bell 412 Air Conditioner System

Subject: Installation of Compressor Safety Strap.

Date: 1 August, 2006

Applicability: Bell Helicopter Models 412, 412 EP, 412 CF equipped with the Air Comm Corporation Air Conditioner System. (The above TC designations include Bell marketing designations 412SP & 412HP.)

Reference:

1. F.A.A./S.T.C. #SR00066DE, Bell Helicopter 412 Air Conditioning System.
2. 412AC-304, Rev L, Installation – Compressor, Drawing.

Compliance:

For Compressors with less than 1000 hrs. aircraft hours since installation, this Service Bulletin must be complied with within the next 200 hrs.

For Compressors with more than 1000 hrs. aircraft hours since installation, this Service Bulletin must be complied with within the next 100 hrs.

I. Discussion:

Due to a recent Compressor failure a Safety Strap has been added to the 412AC-3542-2 Compressor Assembly. This strap will retain the Compressor Clutch Assembly and/or the Compressor End Plate in case of failure.

II. Approval:

The Technical aspects of this Service Bulletin have been FAA / DER approved.

III. Purpose:

The Purpose of this bulletin is to explain the modifications necessary to install the Safety Strap on the Bell 412 Air Conditioner Compressor.

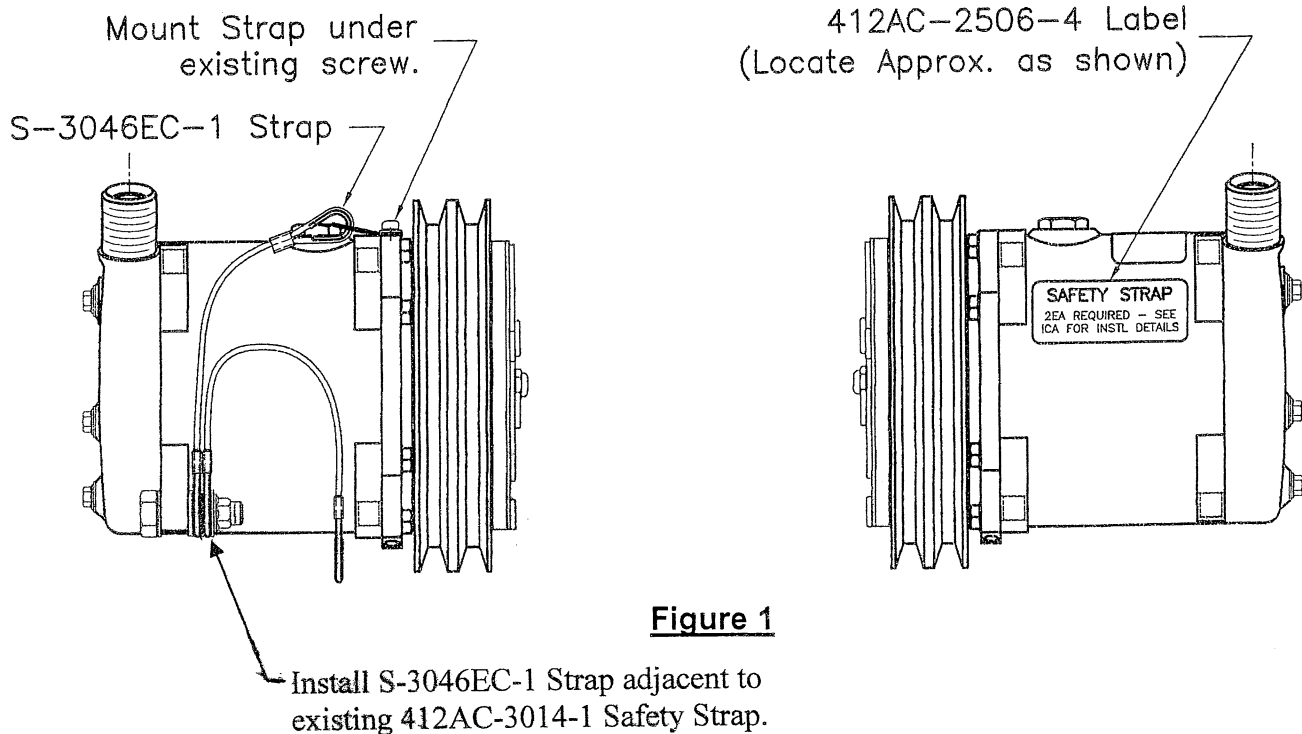
IV. Bill of Materials:

Item	Part Number	Description	Qty.
1	S-3046EC-1	Safety Strap	1
2	412AC-2506-4	Label – Compressor	1

Contact the ACC Service Department to obtain the parts listed above at no charge to complete this Service Bulletin at: Phone 303-440-4075, or Fax 303-440-6355.
e-mail: info@aircommcorp.com

V. Installation:

Install S-3046EC-1 Safety Strap and 412AC-2506-4 Label as shown in Fig 1.7



Revision A: To correct typographic error in Figure 1 text.